



JL INDUSTRIES

# SUBMITTAL/TECHNICAL DATA SHEET

## DESCRIPTION

Model FDU2RFS is designed to maintain the continuity of a fire barrier when installed in a vertical separation. The assembly is manufactured under factory inspection and has a label reading: "Listed access frame and fire door assembly. 2 hour fire-rating.

## SPECIFICATION

FRAME MATERIALS: 16-gauge galvanized

FRAME FLANGE: 16-gauge galvanized

DOOR PANEL MATERIAL: 16-gauge galvanized

STANDARD FINISH: Rush inhibitive off-white prime coat

HINGE: Continuous piano hinge. Opens to 175°

LATCH: Flush mount 1/4" Allen key slam latch

CLEAR OPENING: Width minus 1 1/2" X Height minus 1 1/2"

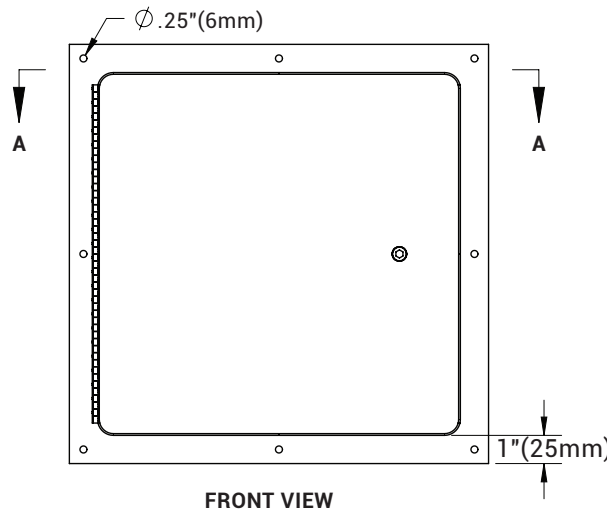
SKU: **ADC-FDU2RFS**

# 2H FIRE-RATED UNINSULATED SURFACE MOUNT ACCESS DOOR



## DIMENSIONS AND APPEARANCE

>> CLICK TO VIEW ADDITIONAL DETAILS AND PRICING <<



For detailed specifications see submittal sheet

### PERFORMANCE:

Tested and listed by Intertek (Warnock Hersey) for a two hour fire-rating and is designed for use in areas when a door frame cannot protrude into the wall. Surface mount, no inner frame, installed in a vertical separation. ASTM E152-81a, UL 10(b) (1997), CAN / UL

### NOTES:

Order size W x H = Rough opening size

For a complete list of options visit [www.AccessDoorsCanada.ca](http://www.AccessDoorsCanada.ca)

## PROJECT DATA

Custom Sizes Available - Fast!

PROJECT NAME :	QTY	W	H	OPTIONS
ARCHITECT :				
DEALER :				
CONTRACTOR :				
LOCATION :	SPECIAL INSTRUCTIONS :			
DATE :				
TAGGING INSTRUCTIONS :	SUBMITTAL APPROVAL : (signature or stamp)			

Scan or Click



To view Pricing and Additional Product Info.

TELEPHONE:  
1-800-679-3405

FAX:  
1-888-622-9920



385 WILSON STREET EAST,  
SUITE 302  
ANCASTER, ON, L9G 2C1  
CANADA



WEBSITE:  
[www.AccessDoorsCanada.ca](http://www.AccessDoorsCanada.ca)

E-MAIL:  
[info@AccessDoorsCanada.ca](mailto:info@AccessDoorsCanada.ca)



# SUBMITTAL

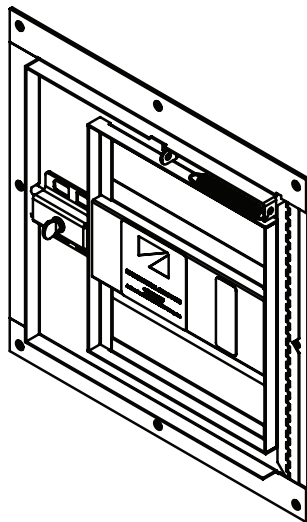
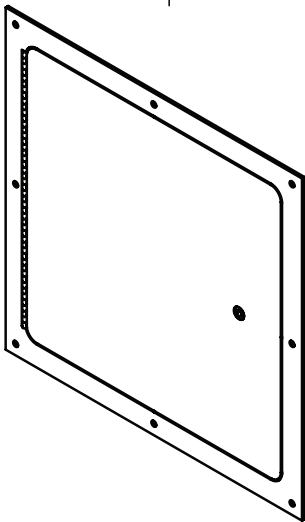
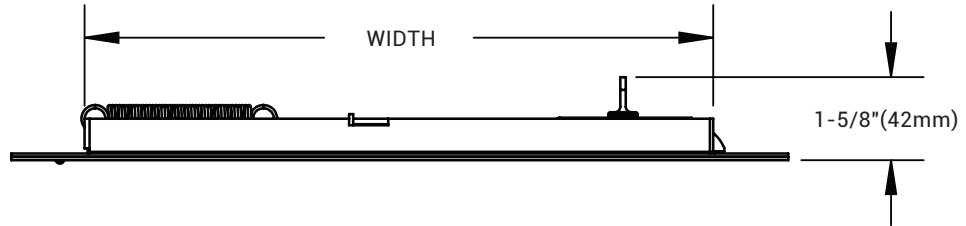
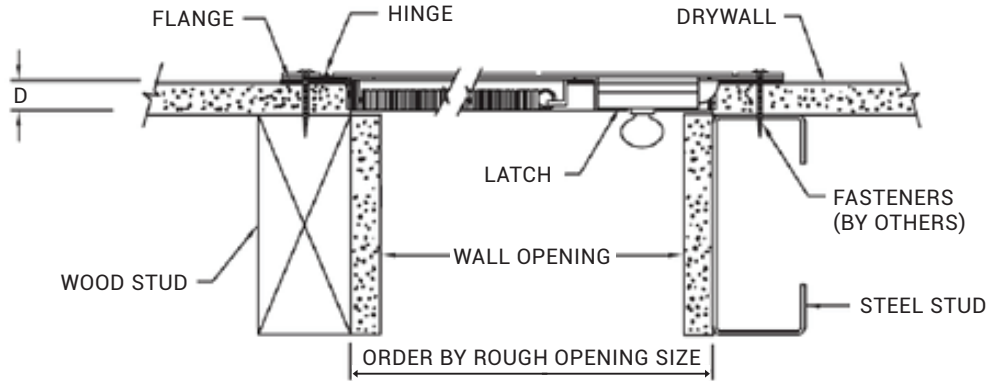
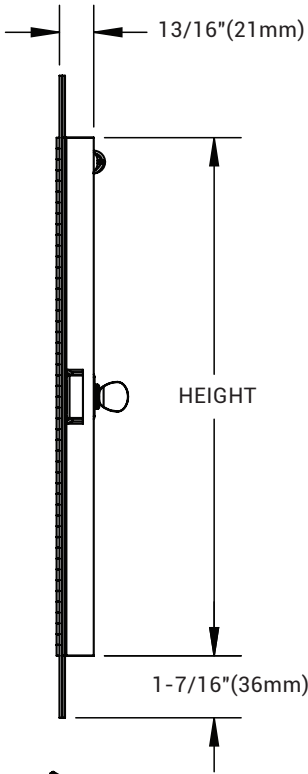
TELEPHONE:  
1-800-679-3405  
FAX:  
1-888-622-9920

385 WILSON STREET EAST,  
SUITE 302  
ANCASTER, ON, L9G 2C1  
CANADA

WEBSITE:  
[www.AccessDoorsCanada.ca](http://www.AccessDoorsCanada.ca)  
E-MAIL:  
[info@AccessDoorsCanada.ca](mailto:info@AccessDoorsCanada.ca)

## ADC-FDU2RFS

# 2 HOUR FIRE-RATED UNINSULATED SURFACE MOUNT ACCESS DOOR



**UNIQUE SURFACE MOUNT:**  
5/8" inner frame minimizes obstructions to components within the wall Self-closing, self-latching, inside latch release Easy flush mount installation



SECTION A-A