



# SUBMITTAL/TECHNICAL DATA SHEET

## DESCRIPTIONS

JL's 3 hour fire rated model is available up to a 48" x 48", with a maximum temperature rise of 250°F (139°C) at 180 minutes. These doors are built to give years of trouble-free service.

## SPECIFICATIONS

**EXTERIOR FRAME MATERIAL:** 12 ga (2.75 mm) galvanized steel, supplied with stainless steel anchor straps.

**DOOR PANEL MATERIAL:** 1/4" (6.35mm) aluminum diamond plate.

**DOOR LINER MATERIAL:** 14 ga (1.99 mm) galvanized steel.

**DEPTH:** 6-1/2" (165 mm)

### STANDARD FINISH:

**Door and Frame:** Gray primer.  
**Concrete Install Outer Frame:** Bituminous coating.

### INSULATION:

High temperature insulation in door.

**LATCH:** 316 Stainless steel slam latch with removable cover plug, operable from the top side by a removable tool and underside by a spoon handle.

**HINGE:** Heavy duty continuous stainless steel piano hinge.

**LIFT ASSIST:** 316 Stainless steel nitrogen cylinder(s).

Live Load: 150 psf

### SIZES:

Minimum 30" x 24"  
Maximum 48" x 48"

SKU: **ADC-FFD3**

**3 HOUR FIRE-RATED FLOOR DOOR**



## DIMENSIONS AND APPEARANCE

>> CLICK TO VIEW ADDITIONAL DETAILS AND PRICING <<

### STANDARD SIZES:

MODEL	ORDER SIZE		APPROX. WEIGHT
	WIDTH	LENGTH	
FFD3-3030	30"	30"	219 lbs.
FFD3-3036	30"	36"	263 lbs.
FFD3-3048	30"	48"	350 lbs.
FFD3-3630	36"	30"	263 lbs.
FFD3-3636	36"	36"	315 lbs.
FFD3-3648	36"	48"	420 lbs.
FFD3-4242	42"	42"	429 lbs.
FFD3-4254	42"	54"	551 lbs.
FFD3-4848*	48"	48"	560 lbs.

ORDER SIZE = FRAME INSIDE DIMENSION

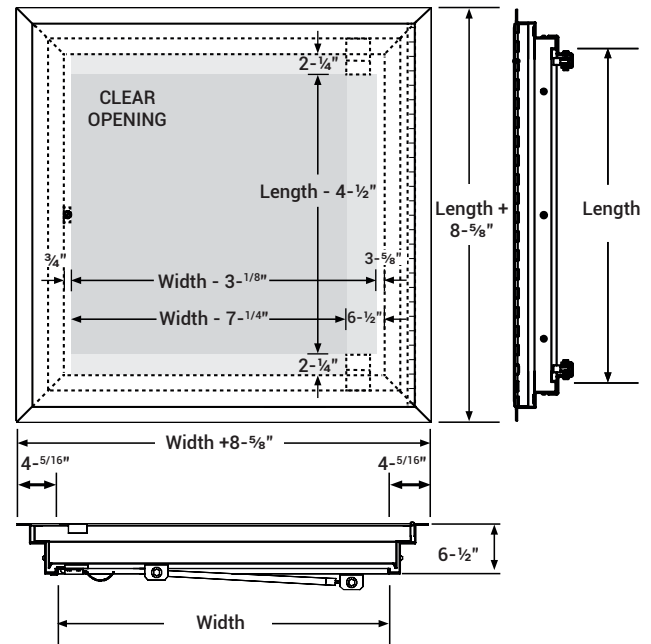
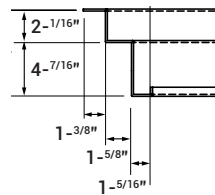
### FIRE-RATING INFORMATION

Warnock Hersey Intertek listed and labeled to NFPA-288, ASTM E-119, CAN/ULC-S101, NFPA25, NFPA-252, UL-10B, CAN/ULC-S104

\*Clear opening for sizes greater than 48" x 48" on page 3.

Note: Floor Door is not to be exposed to rain or wet environments. Intended for dry location use only.

For detailed specifications see submittal sheet



For a complete list of options visit [www.AccessDoorsCanada.ca](http://www.AccessDoorsCanada.ca)

## PROJECT DATA

Custom Sizes Available - Fast!

PROJECT NAME :	QTY	W	H	OPTIONS
ARCHITECT :				
DEALER :				
CONTRACTOR :				
LOCATION :	SPECIAL INSTRUCTIONS :			
DATE :				
TAGGING INSTRUCTIONS :	SUBMITTAL APPROVAL : (signature or stamp)			

TELEPHONE:  
1-800-679-3405  
FAX:  
1-888-622-9920



385 WILSON STREET EAST,  
SUITE 302  
ANCASTER, ON, L9G 2C1  
CANADA



WEBSITE:  
[www.AccessDoorsCanada.ca](http://www.AccessDoorsCanada.ca)

E-MAIL:  
[info@AccessDoorsCanada.ca](mailto:info@AccessDoorsCanada.ca)

Scan or Click



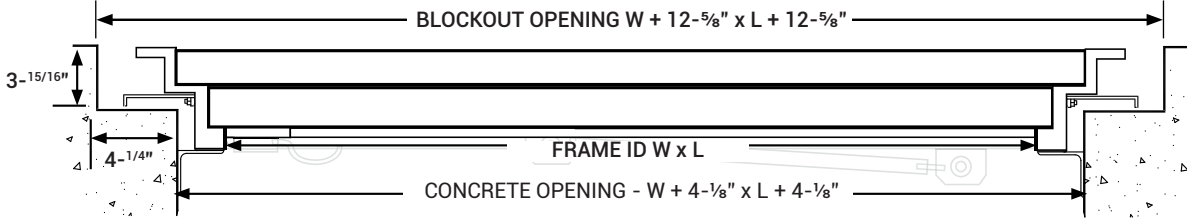
To view Pricing and Additional Product Info.



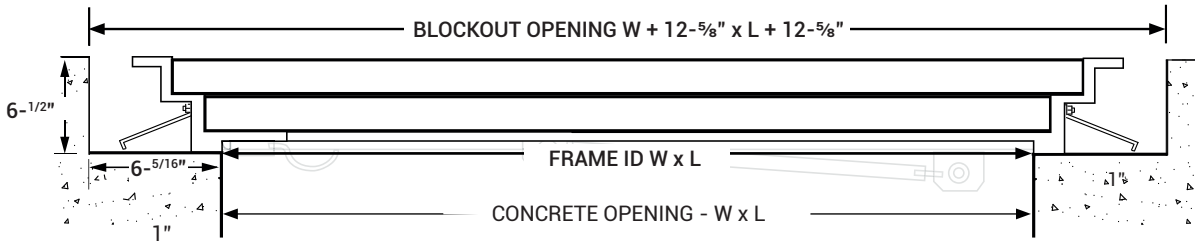
# ADC-FFD3

# 3 HOUR FIRE-RATED FLOOR DOOR

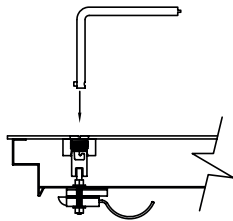
**CONCRETE INSTALLATION - RETROFIT #1**  
(Angle Supports by Others)



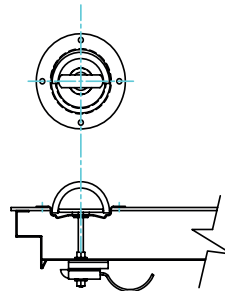
**CONCRETE INSTALLATION - RETROFIT #2**



Designed to be cast in place or the above retrofit options.



Standard Latch



Optional Recessed Turn Handle

ADDITIONAL OPTIONS:		
<input type="checkbox"/>	Self Closing Mechanism- Fusible link activates at 165°F.	(SC)
<input type="checkbox"/>	300 lb/ft <sup>2</sup> live load.	(3C)
**Available on sizes 36" x 54" and smaller		
LATCH AND HANDLE OPTIONS:		
<input type="checkbox"/>	Recessed Stainless Steel Turn Handle Topside**	(T)
<input type="checkbox"/>	Padlock Hasp Underside.	(P)
<input type="checkbox"/>	Recessed Stainless Steel Turn Handle Topside with Detention Lock Underside**	(D)
<input type="checkbox"/>	Detention Lock Topside with Operable Knob Underside	(E)
DOOR PANEL OPTIONS:		
<input type="checkbox"/>	1/4" (6.35 mm) Aluminum Smooth Door	(25AS)



# SUBMITTAL

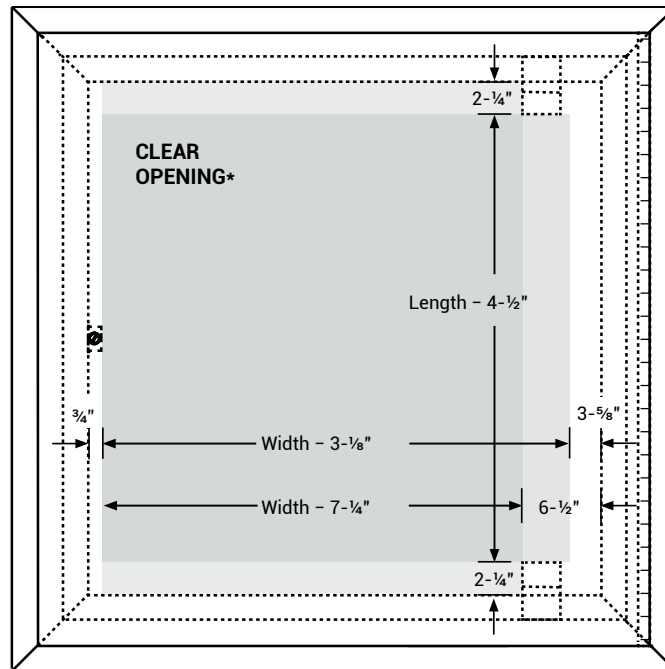
TELEPHONE:  
1-800-679-3405  
FAX:  
1-888-622-9920

385 WILSON STREET EAST,  
SUITE 302  
ANCASTER, ON, L9G 2C1  
CANADA

WEBSITE:  
[www.AccessDoorsCanada.ca](http://www.AccessDoorsCanada.ca)  
E-MAIL:  
[info@AccessDoorsCanada.ca](mailto:info@AccessDoorsCanada.ca)

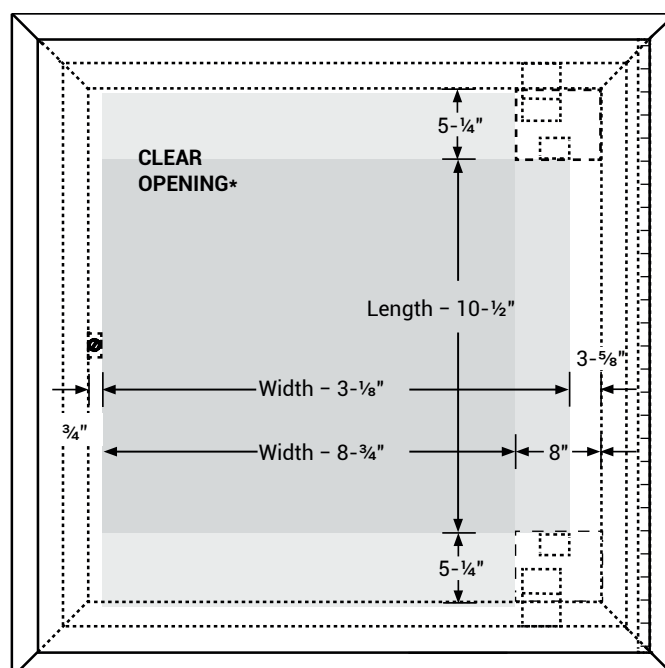
## ADC-FFD3

# 3 HOUR FIRE-RATED FLOOR DOOR



### Single Cylinder Brackets

For dimensions smaller than 48" x 48"



### Dual Cylinder Brackets

For 48" x 48" or larger sq ft