

# SUBMITTAL/TECHNICAL DATA SHEET



## SPECIFICATION

### CONSTRUCTION:

- Curb: 14 gauge galvanized steel or .125 aluminum, 12" high, integral counterflashing, 4" wide mounting flanges with pre-drilled holes, and 1" fiberboard insulation on the exterior with metal corner guards.
- Cover: 14 gauge galvanized steel or .125 aluminum with 22 gauge galvanized liner. Cover open with push button lock release.
- Cover operation shall be assisted by fully enclosed compression spring operators.
- Cover shall be mounted on steel butt hinges with brass pin and be complete with closed cell foam rubber weather seal, automatic hold open arm with red vinyl grip, and latching devices having inside and outside padlock hasp.
- All hardware shall be zinc or cadmium plated.
- Finish shall be prime coat of rust inhibitive baked grey enamel.



SKU: **ADC-KRHG**

## GALVANIZED ROOF HATCH

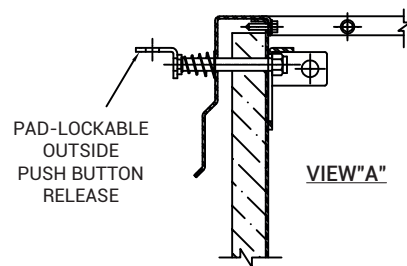
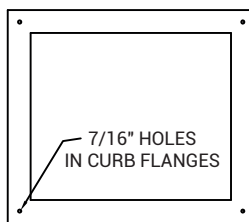
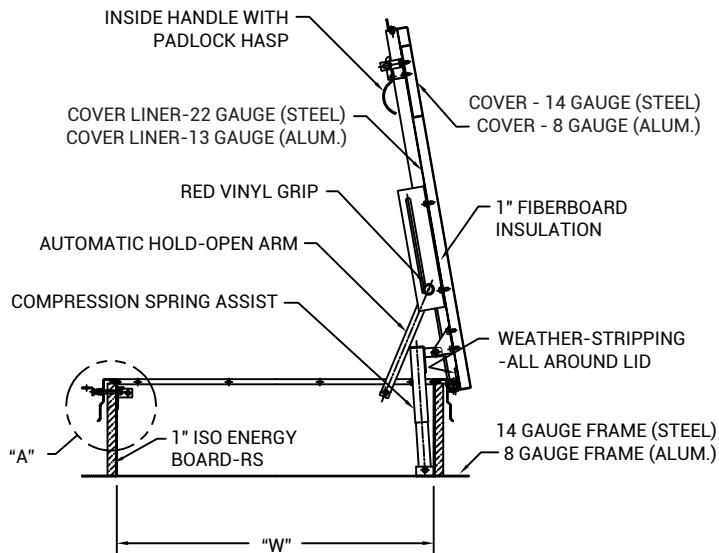
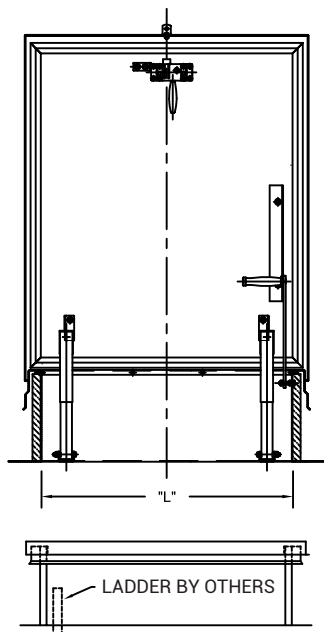


## DIMENSIONS AND APPEARANCE

>> CLICK TO VIEW ADDITIONAL DETAILS AND PRICING <<

### STANDARD SIZES:

| DOOR SIZE<br>H X W (IN.) | SHIPPING WT. (LBS.) |       |
|--------------------------|---------------------|-------|
|                          | KRHG                | KRHA  |
| 2' x 3'                  | 135.0               | 70.0  |
| 2'6 x 3'                 | 155.0               | 85.0  |
| 2'6 x 4'6                | 225.0               | 135.0 |
| 2'6 x 8'                 | 335.0               | 245.0 |





For a complete list of options visit [www.AccessDoorsCanada.ca](http://www.AccessDoorsCanada.ca)

## PROJECT DATA

Custom Sizes Available - Fast!

| PROJECT NAME :         | QTY  | W | H | OPTIONS |
|------------------------|--|---|---|---------|
| ARCHITECT :            |  |   |   |         |
| DEALER :               |  |   |   |         |
| CONTRACTOR :           |  |   |   |         |
| LOCATION :             | SPECIAL INSTRUCTIONS :                       |   |   |         |
| DATE :                 |  |   |   |         |
| TAGGING INSTRUCTIONS : | SUBMITTAL APPROVAL :<br>(signature or stamp) |   |   |         |

Scan  or  Click



To view Pricing and Additional Product Info.

TELEPHONE:  
1-800-679-3405  
FAX:  
1-888-622-9920



385 WILSON STREET EAST,  
SUITE 302  
ANCASTER, ON, L9G 2C1  
CANADA



WEBSITE:  
[www.AccessDoorsCanada.ca](http://www.AccessDoorsCanada.ca)  
E-MAIL:  
[info@AccessDoorsCanada.ca](mailto:info@AccessDoorsCanada.ca)