



SUBMITTAL/TECHNICAL DATA SHEET

SPECIFICATIONS

- 01. Pull up loop
- 02. Release rod w/ vinyl lift handle
- 03. Lock up bracket
- 04. Balancing spring
- 05. Square tubing
- 06. Adjustable mounting channel
- 07. Clamp bracket
- 08. Stainless steel mounting bolts (3/8-16 x 2")

NOTES:

01. Our LadderUP safety post is furnished completely assembled ready to mount on rear of ladder with clamp brackets on climbing side. Ladder must be structurally sound and securely anchored.

02. On hollow round rung ladders insert solid round bar (same length as rung) into the top two rungs to provide additional strength and prevent crushing of the rung when the LadderUP is fastened.

03. Adjustable mounting fits ladders with rung spacing up to about 14" (355mm) center to center.

04. Clamp bracket may be reversed to accommodate rung sizes of 3/4" (19mm) to 1 1/4" (32mm) with standard 2" (51mm) bolts furnished. Larger rungs will require longer bolts.

ROOF SCUTTLE NOT INCLUDED

For a complete list of options visit www.AccessDoorsAndPanels.com

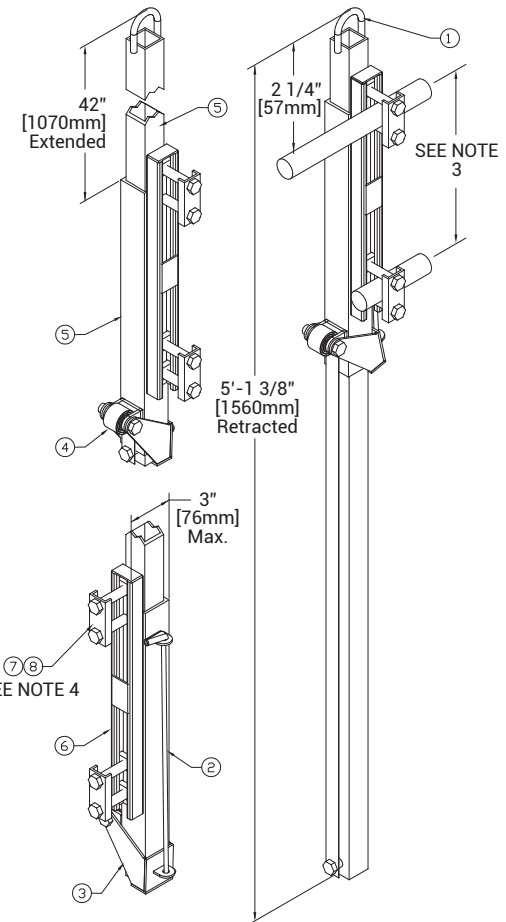
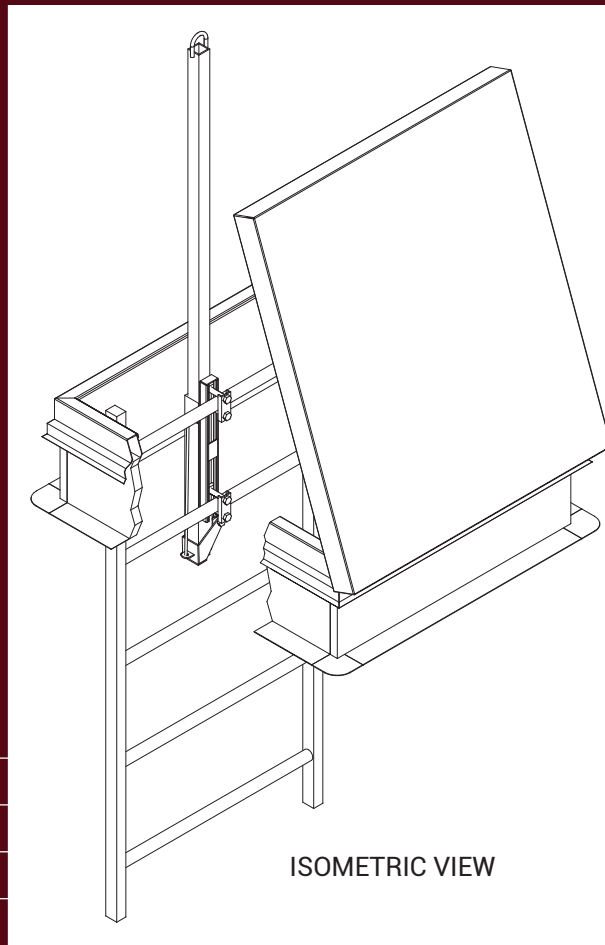
QTY	TYPE	MATERIAL	FINISH
<input type="checkbox"/>	LU-1	STEEL	YELLOW POWDER COAT PAINT
<input type="checkbox"/>	LU-2	STEEL	HOT DIPPED GALVANIZED
<input type="checkbox"/>	LU-3	STAINLESS STEEL	TYPE 304 WITH SAND BLAST FINISH
<input type="checkbox"/>	LU-4	ALUMINUM	MILL FINISH



SKU: **ADC-PP**
LADDER UP SAFETY POST

DIMENSIONS AND APPEARANCE

>> CLICK TO VIEW ADDITIONAL DETAILS AND PRICING <<



PROJECT DATA

Custom Sizes Available - Fast!

Scan or Click



To view Pricing and Additional Product Info.

PROJECT NAME :	QTY	W	H	OPTIONS
ARCHITECT :				
DEALER :				
CONTRACTOR :				
LOCATION :	SPECIAL INSTRUCTIONS :			
DATE :				
TAGGING INSTRUCTIONS :	SUBMITTAL APPROVAL : (signature or stamp)			

TELEPHONE:
1-800-679-3405
FAX:
1-888-622-9920



385 WILSON STREET EAST,
SUITE 302
ANCASTER, ON, L9G 2C1
CANADA



WEBSITE:
www.AccessDoorsCanada.ca
E-MAIL:
info@AccessDoorsCanada.ca